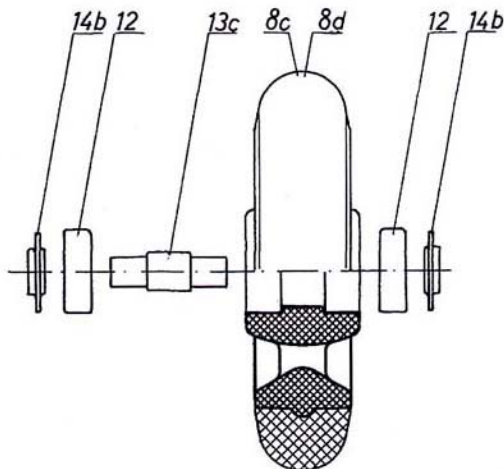




MARWE SKATING 610
RAKENNE JA VARAOSAT
KONSTRUKTION OCH RESERVDELAR
CONSTRUCTION AND SPARE PARTS
KONSTRUKTION UND ERSATZTEILE



**SPARE PARTS FOR
MARWE SKATING 610**

- 1 - Frame
- 2c/d - Fork plate SKATING 610 l/r
- 3 - Fork plate bolt
- 4 - Washer for parts 4, 5
- 5 - Fork plate nut
- 6c - Mudguard 100/105mm wheels
- 7 - Mudguard screw
- 8b - Wheel
- 12 - Roller bearings training rollerskis
- 13c - Axle for 105mm wheels
- 14b - Spacer aluminum
- 15c - Axle bolt for 100/105mm wheels
- 16 - Nut
- 18 - Washer

